

**CORNELL PUMP COMPANY**

500 - 1200 GPM

Model 4HM

150 - 375 Feet TDH

STANDARD SPECIFICATION**Discharge** - 3 inch discharge**Suction** - 5 inch suction**Impeller** - Semi-open, threaded, 3 vane: handles 1" solids**Volute** - Right and left hand tangential discharge, eight positions**Mechanical Seal or Traditional Packing** - Single, type 2, silicon carbide/tungsten carbide mechanical seal: Cycloseal® design, Run-dry available**Materials of Construction**

- Cast iron casing, cast iron impeller
- Other materials available

MOUNTING OPTIONS

- **Close Coupled Electric**
 - Cornell's Energy Efficient Design
- **Frame Mount**
 - Cornell F16
 - Cornell F18
 - Cornell F18DB
- **Engine Bracket**
 - Cornell EM16 (SAE 1, 2, 3, 4)
 - Cornell EM18 (SAE 1, 2, 3, 4)
 - Cornell EM18DB (SAE 1, 2, 3, 4)
- **Oil Filled Bearing Frame**
 - Available

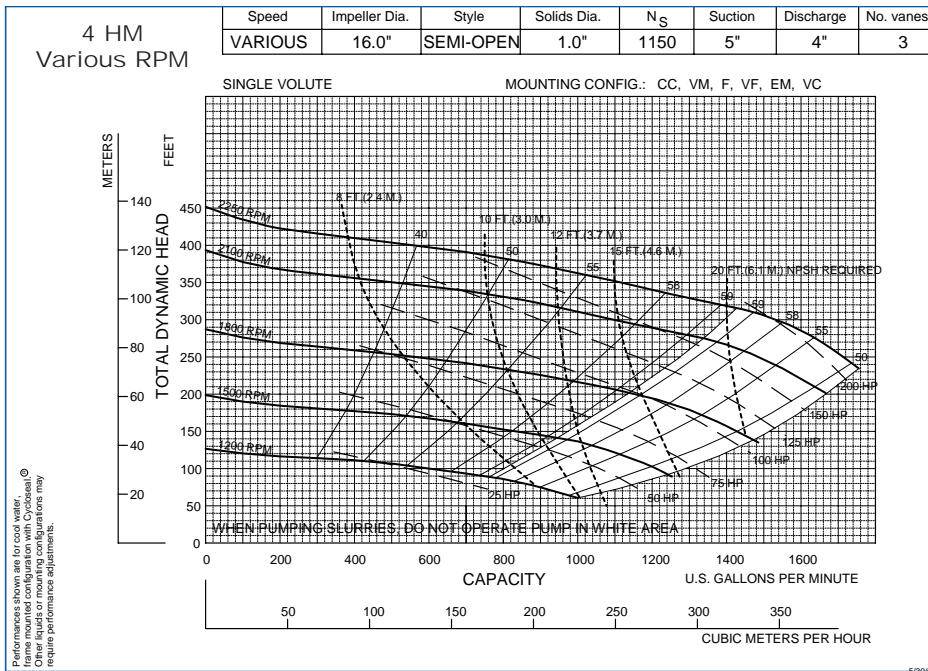
AVAILABILITY

- **Quick Ship**
 - Finished Product Regularly Stocked (48 Hours)
- **Preferred Pump**
 - Finished Components Regularly Stocked (10 business days)
- **Specialty Pump**
 - Cornell Pump Company will design and manufacture a variation of this pump specifically designed for your application

**FEATURES & BENEFITS**

- **Cornell's Tradition of Excellence:**
 - **Highest quality products**
 - **Experience**
 - Over 50 years in the centrifugal pump business
 - **Optimum Hydraulics**
 - In house engineering staff and test lab facilities
 - **Strong Local Dealer Support**
 - Our agricultural products are sold only through authorized dealerships
 - Dealerships provide full service to customers from sales to replacement parts
 - Dealers maintain and improve their knowledge at educational activities like Cornell's "Pump School"
- **Exceptional Design:**
 - **Efficiency**
 - Effectively converts energy into fluid flow and pressure
 - **Long Product Life**
 - Thick walled castings
 - Heavy duty shafts
 - 20,000 hour bearings
 - Replaceable wear rings and shaft sleeves
 - Reduced thrust load through design and balance lines where appropriate

PERFORMANCE CURVES



Note:
Curves also available in 1800 and 1200 RPM

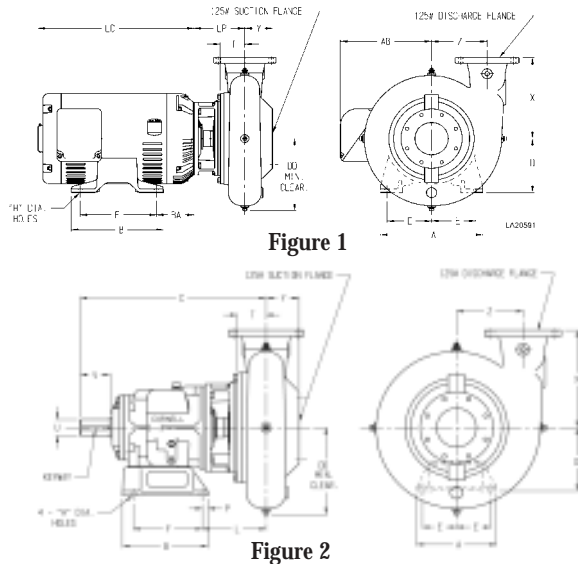


Figure 1

Figure 2

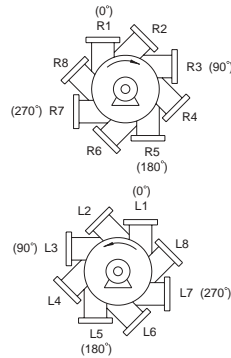


Figure 3

PUMP DIMENSIONS

| MOUNT | Fig. | A | AR | B | C | CP | D | DA | DD | E | F | H | L | LP | P | R | T | U | V | X | Y | Z | KEYWAY |
|-------|------|----|------|-------|-------|-------|------|-------|-------|------|-------|------|------|-------|------|-------|------|-----|-----|----|------|------|-----------|
| CC | 1 | - | - | - | - | - | - | - | 12.62 | - | - | - | - | 11.19 | - | - | 3.03 | - | - | 11 | 3.09 | 9.75 | - |
| F16 | 2 | 12 | - | 12.88 | 25.95 | - | 9.75 | - | 12.62 | 5.12 | 10.38 | 0.81 | 8.09 | - | 0.88 | - | 3.03 | 2 | 4.5 | 11 | 3.09 | 9.75 | .50 X .25 |
| F18 | 2 | 12 | - | 12.88 | 25.94 | - | 10.5 | - | 12.62 | 5.12 | 10.38 | 0.81 | 8.09 | - | 0.88 | - | 3.03 | 2.5 | 4.5 | 11 | 3.09 | 9.75 | .62 X .31 |
| EM16 | 3 | - | 5.25 | - | 25.95 | 27.03 | - | 12.62 | 12 | - | - | - | - | - | - | 16.77 | 3.03 | 2 | - | 11 | 3.09 | 9.75 | .50 X .25 |
| EM18 | 3 | - | 5.25 | - | 25.94 | 27.03 | - | 12.62 | 12 | - | - | - | - | - | - | 16.77 | 3.03 | 2.5 | - | 11 | 3.09 | 9.75 | .62 X .31 |

MOTOR DIMENSIONS

| MOTOR FRAME | AK DIM. | A | B | D | E | F | H | AB | BA | LC |
|-------------|---------|-------|-------|------|------|-------|------|-------|------|-------|
| 213-5 | 8.5 | 9.5 | 8 | 5.25 | 4.25 | 7 | 0.41 | 7.94 | 4.5 | 13.69 |
| 254-6 | 8.5 | 11.25 | 11.25 | 6.25 | 5 | 10 | 0.53 | 9.5 | 5 | 17.94 |
| 284-6 | 12.5 | 12.25 | 12.25 | 7 | 5.5 | 11 | 0.53 | 11.37 | 5 | 21.31 |
| 324-6 | 12.5 | 14.25 | 13.75 | 8 | 6.25 | 12 | 0.66 | 12.22 | 5.5 | 22.19 |
| 364-5 | 12.5 | 15.75 | 14 | 9 | 7 | 12.25 | 0.66 | 13.2 | 6.12 | 24.31 |
| 404-5 | 12.5 | 18.49 | 16.62 | 10 | 8 | 13.75 | 0.81 | 16.39 | 6.88 | 28.22 |

Cornell Pump Company

P.O. Box 6334

Portland, Oregon 97228-6334

Web: www.cornellpump.com

Phone: (503) 653-0330 • Fax: (503) 653-0338

ISO9001:2000 CERTIFIED